

LS7

Signal Tower



LED

2 Alarm Sounds (FB Type)

90dB at 1m (FB Type)

IP65 (B Type:IP54)

Ø70

**NPN/PNP
Open-collector**



**New concept!
Smart & smooth signal light body which improves
harmony with equipment.**

How to Order

LED Signal Tower

LS7- ① 02 ② ③ ④ W ⑤ — ⑥

- ① No. of Lighting Units
3:3 Tiers
5:5 Tiers
- ② Body Color
No Mark:Off-white
D: Dark Gray
S: Silver
- ③ Lighting
No Mark: Illumination Only
F: Illumination·Flashing
- ④ Buzzer
No Mark: No Buzzer
B: Buzzer
- ⑤ Wiring
C:M12 Connector
H:Lead Wires[※]
- ⑥ LED Color
R:Red
Y:Yellow
G:Green
B:Blue
C:White
N:Blank

Ex.: LS7-302WC-RYGNN

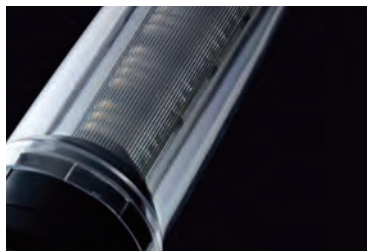
•Body Color...Off-white •Lighting...Illumination
•Buzzer...None •Wiring...M12 Connector
•LED Colors:Red, Yellow, Green, (Blank), (Blank)

- F type models with Illumination·Flashing are only available for Lead Wire and requires an H mark.
- C type models (M12 Connector Type) are only available with a continuous sound buzzer.

Specifications

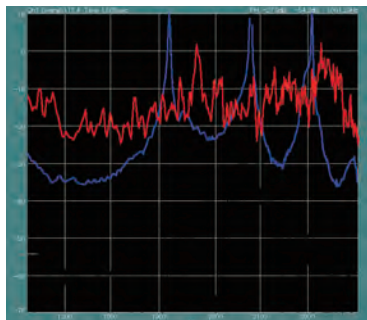
Model	Number of Lighting Units	Rated Voltage	Mounting	Rated Current Consumption	Maximum Rated Current	Maximum Sound Pressure	Operating Temperature Range	Protection Rating	Mass:			
									Lead-wire Type (H)		M12 Connector Type (C)	
									Illumination (No Mark)	Illumination/Flash/2 Alarms (FB)	Illumination (No Mark)	1 Alarm (B)
LS7-302	3 Tiers	DC 24V (±10%)	Direct (Indoors Only)	Red: 20mA	Red: 35mA	Buzzer1 ab. 82dB Lead-wire Type (Intermittent Beep1) M12 Connector Type (Continuous Beep)	-30°Cto+60°C (Less than 85% RH)	Illumination Type: IP65* Buzzer Type: IP54	280g ±10%	370g ±10%	260g ±10%	320g ±10%
LS7-502	5 Tiers			Amber, Green, Blue, Clear/White 30mA	Amber, Green, Blue, Clear/White 40mA	Buzzer2 ab. 85dB Lead-wire Type (Intermittent Beep2) M12 Connector Type (None)						

* IP67 available by special order



A smooth-surfaced body without any metal exposed

By changing the surface of the body into a smoother form, the adhesion of water and dust is reduced. Also, the structure does not have screws, shafts, etc., exposed, which gives comfort for applications in the lithium ion battery manufacturing and food processing industries. And, with the outer lens structure, the risk of environmental stress cracks due to oil mist is reduced. The lens cover is made of shock-resistant polycarbonate.

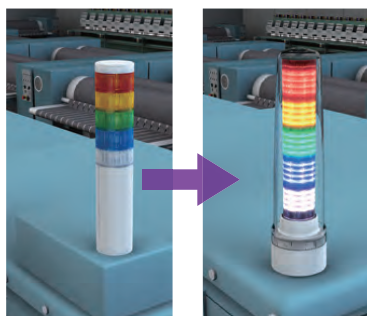


A sound heard throughout various environments

In addition to the existing lead wire, M12 connector quick disconnect is also available. Moreover, when moving to carry and to go out of the device, it is possible to detach it easily with the M12 connector.



Frequency graph of a metal-working shop sound mixed with buzzer2 alarm. (Inter-corporate Measurement)
* Buzzer1 (H type or C type) is measured at 2000Hz.



Easy attachment, no need for Relay Box

In addition to the conventional three-bolt installation, a two-bolt installation from the upper mount has been added to help make a smoother installation. Therefore, by using the mount as a relay box, it reduces the manufacturing cost for an extra relay box, which used to be a necessity up until now.



M12 Connector Wiring & Tiered Construction

The stackable design and M12 connector quick disconnect (Cable Sold Separate) can drastically reduce labor and time. Moreover, the disconnection and reconnection of the body when removing it to relocate a machine has become smoother.



Stackable Construction



High-contrast Visibility

With the adoption of an inner lens, the LED emits a more efficient light. Moreover, the contrast is increased when the Signal Tower lights up or flashes, with a distinguishable signal color which remarkably improves visibility.

Remarkable display in ANY environment

The LS7 has passed various tests for water resistance, dust, temperature, and variable vibration frequency tests, etc., so that it can endure various environments.

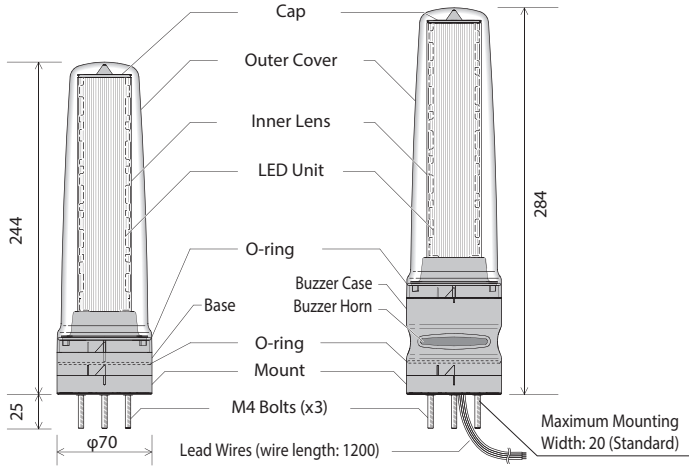


All-plastic Bracket

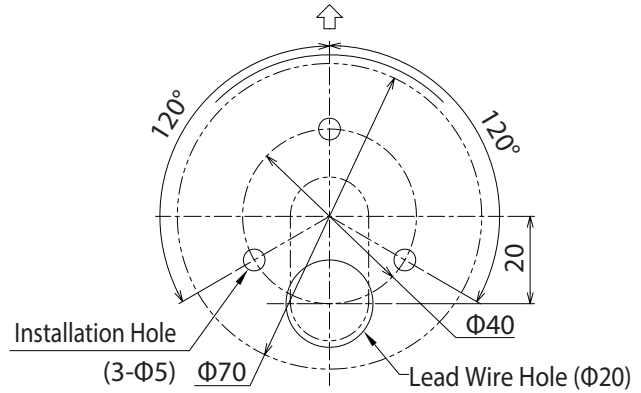
Like the body, the smooth-shaped platform bracket won't collect water or dust. Since no metal parts like screws and shafts are exposed, worries of food tampering can be put to rest in the food process lines.



Dimensions (Unit: mm)



Product Front (Buzzer Horn Direction)



Optional Parts

Like the body, the smooth-shaped platform bracket won't collect water or dust. Since no metal parts like screws and shafts are exposed, worries of food contamination can be put to rest in food processing.

Platform Bracket SZ-100



Wall Mounting Bracket SZ-110

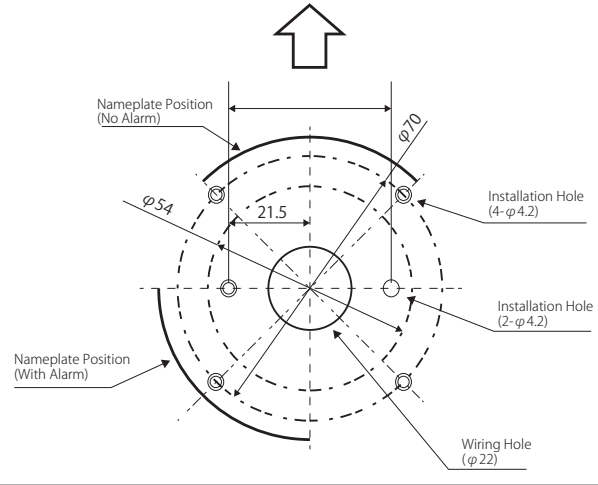


Multi-mount Bracket SZ-130



Multi-mount Bracket SZ-130 Installation Dimensions

Front (Audible Alarm Opening)



M12 Connector & Cable

Manufactured by the OMRON Corp.)

SZ-120-02 Cable Length 2 m (XS2F-D821-DH0-R)

SZ-120-05 Cable Length 5 m (XS2F-D821-GH0-R)

SZ-120-10 Cable Length 10m (XS2F-D821-JH0-R)

*Only for connecting to the LS7.



Replacement Parts



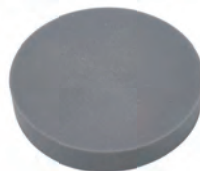
Outer Cover for LS7*

Material: Polycarbonate



O-ring for LS7

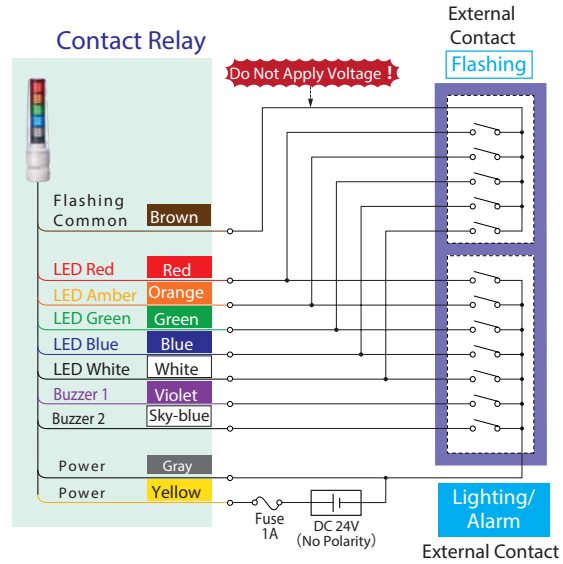
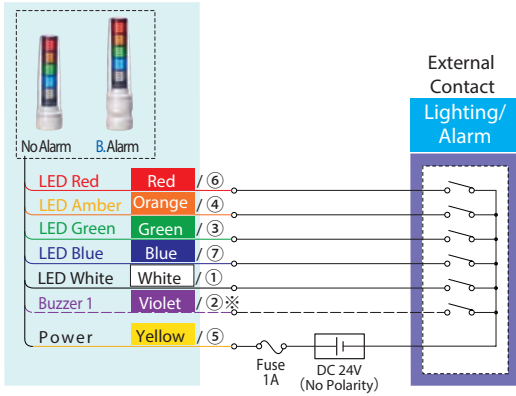
Material: Silicone



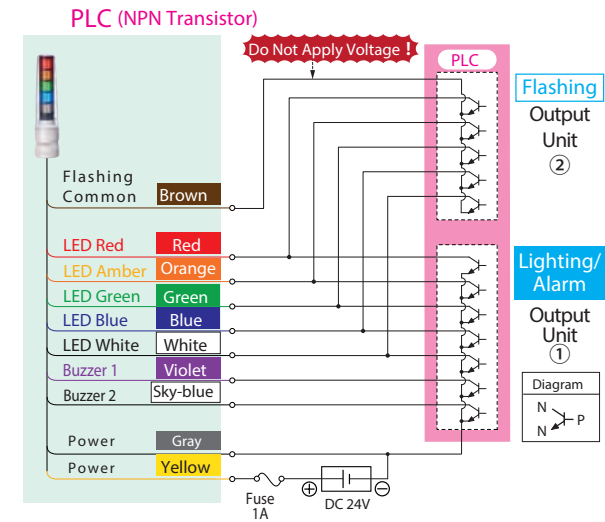
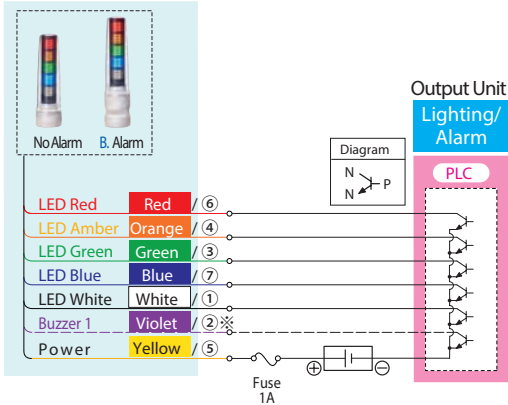
Mount Cover for LS7 (Accessory)

Material: Silicone

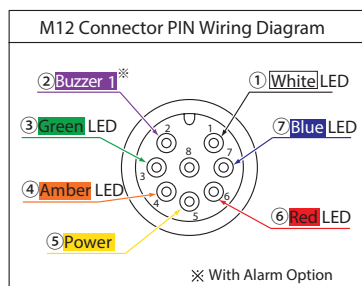
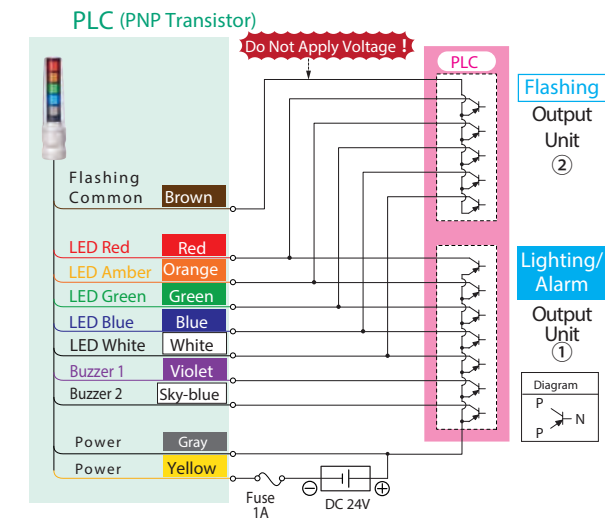
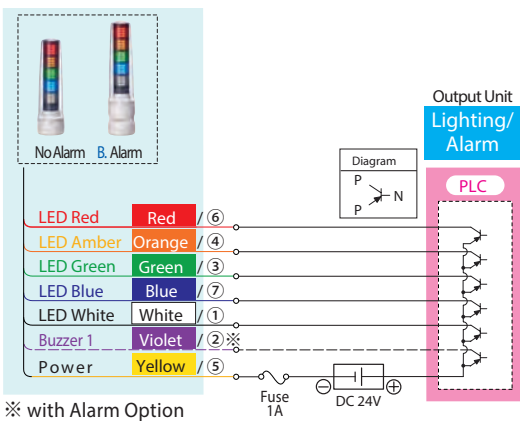
Contact Relay



PLC (NPN Transistor)



PLC (PNP Transistor)



Note: When connecting the PLC outputs for illumination and flashing functions, the wiring (Common Wires) has to be separate between the flashing and non-flashing circuits.