



Slim linear LED. Lamp for small and medium industrial machines. Solid anodized aluminum structure with protective glass 4mm depth. High-efficiency 6W multi-chip LED. I.D.S. technology for 24VDC connection. Shockproof and vibrations resistant. Two versions available 13-34W built-in/external Power supply 24VDC.

Electrical features

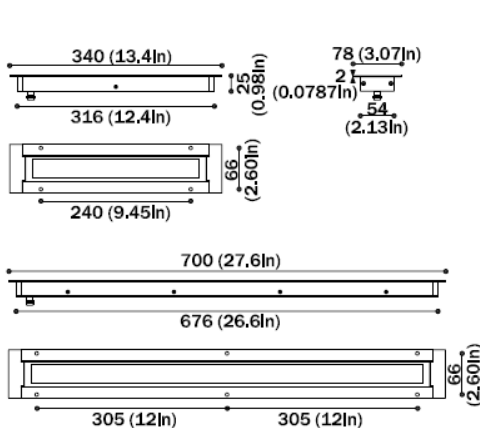
Power supply	24 Vdc
LED driver 700mA dc cost	integrato
IEC class	III
Degree of protection	IP67

Optical and mechanical features

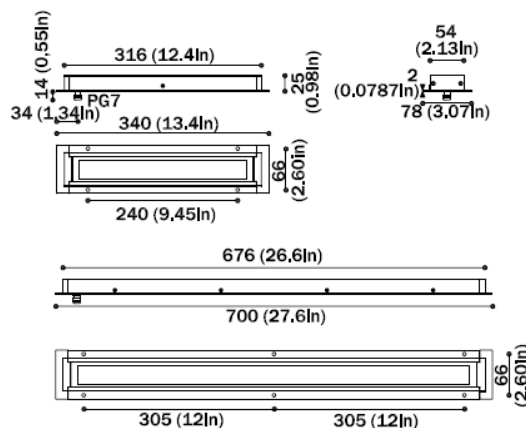
LED type	mini power LED
LED lifetime	50 000 h
Brightness	wide beam 120°
Light color	5000K Ra75
Structure	Anodized aluminum
Covering	tempered glass 4mm
Colore lampada	Aluminum
Operating temperatur	-20 +55°C
Fastening	M5 screws
Power cable	3x0,75mmq PUR: brown/black1 : 24Vdc (+) – blue/black2 : 0Vdc (-) yellow/green: GND

Model	Power supply	N° LED	Current	Watt	Light color	Weight
SIDAL2.50.x	24Vdc	36	0,6 A	13 W	5000 K	0,80 Kg / 1.76lb ~
SIDAL5.50.x	24Vdc	90	1,5 A	34 W	5000 K	1,75 Kg / 3,86 lb ~

DIMENSIONS (all values in millimeter / inch)



SIDAL – built-in



SIDAL - external

All the information gathered by this manual can be modified at any time without prior notice and do not imply any obligation by CCEA.