

SQ-MIM0169301

Panasonic

Compact AC geared motor

Type :Electromagnetic Brake motor (Single phase)

UL,c-UL,CE,CCC approved

M9RZ90GR4GG1 4P 90W 220,230V 50/60Hz

Capacitor:7 μ F(450V)

Time rating:S2(30min) Thermal Class:130(B) IP44

Characteristics

Voltage	Frequency	rated current	rated input	rated speed	rated torque	starting torque	starting current	Brake input	Brake current	Holding brake torque
220V	50Hz	0.84A	179W	1275min ⁻¹	0.67N·m	0.76N·m	1.5A	10W	0.05A	0.39N·m
220V	60Hz	0.84A	184W	1600min ⁻¹	0.54N·m	0.76N·m	1.5A	10W	0.05A	0.39N·m
230V	50Hz	0.89A	192W	1275min ⁻¹	0.67N·m	0.83N·m	1.6A	10W	0.05A	0.39N·m
230V	60Hz	0.84A	192W	1600min ⁻¹	0.54N·m	0.83N·m	1.5A	10W	0.05A	0.39N·m

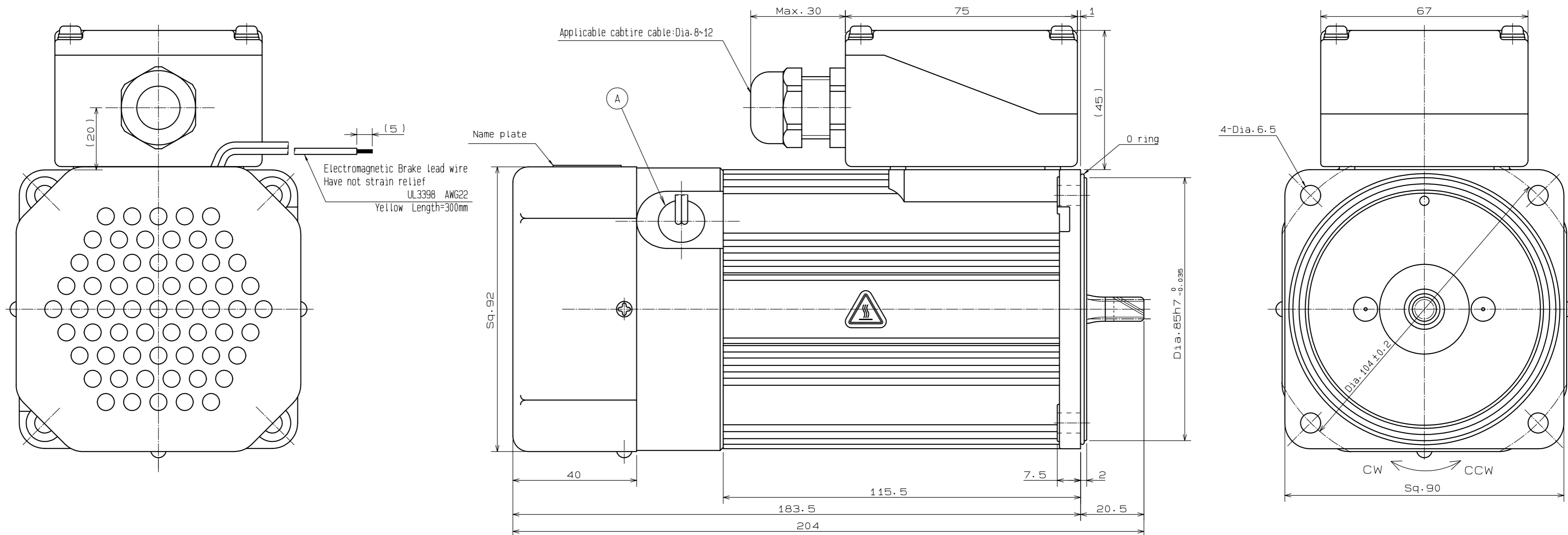
General Dimension Tolerance (±)

Assembly					Dimension of A			
					Angle			
Up to 5	Over 5 to 30	Over 30 to 120	Over 120 to 300	Over 300	Up to 10	Over 10 to 50	Over 50 to 100	Over 100
0.3	0.5	0.7	1.2	2.0	5°	3°	1.5°	45°

Reduced drawing

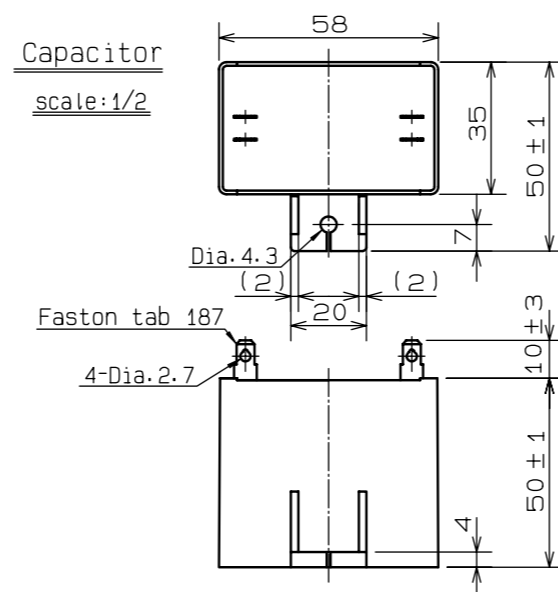
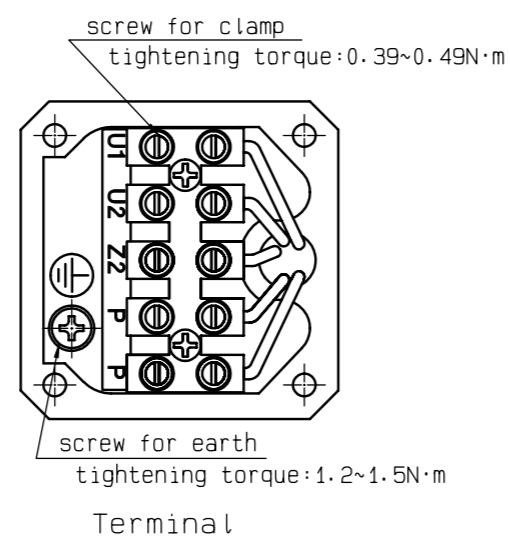
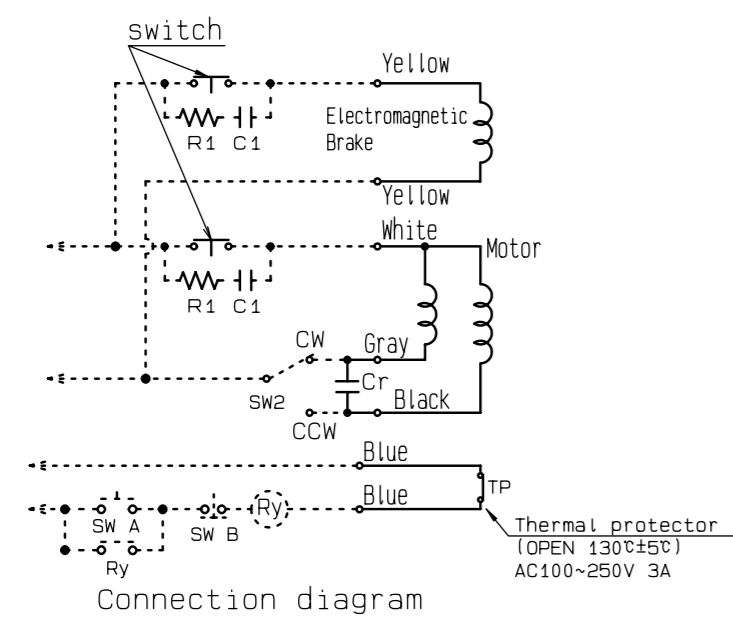
IP44:Applied when the direction of the lead wire hole (A) is downwards

Do NOT scale the drawings. Instead rely on the dimensions and their definitions.



General specification

- Operational condition: ambient temperature -10°C~+40°C, the humidity: less than 85%RH.
- Shaft end edges assumes it less than 5/100(TIR).
- Please do not disassemble the motor. (It causes abnormal noise.)
- This motor has a thermal protector.
- Body color is dark brown.
- An electromagnetic brake operates by switching it off. It remove by switching on.
- A position of a switch please obey a connection diagram.
- Please use R1+C1 for protection between the point of contact of a switch. There is optional DV0P008. A commercial article: R1=10~200 μ . More than 1/4W, C1=0.1~0.33 μ F. More than 250V.
- As for the life of this motor, an electromagnetic brake is 1,000,000 times at permission inertia in 1.0kg·cm².
- Applicable gear head: MZ9G0B(ball bearing hinge noting) MY9G0B(ball bearing hinge existence) MR9G0B(ball bearing hinge nothing) MP9G0B(ball bearing hinge existence)
- Applicable decimal gear head: MZ9G10XB.
- When put a gear head together, please confirm that an O ring attached to a motor. (If there is not an O ring, it cause an oil blur.)
- Perform connection of terminals of a capacitor surely. Do the electric insulation so that electricity department of a capacitor does not crop out.
- Accessory: Capacitor



MARCHAND CLASS E-O IM1 TRACE

Scale	MATSUSHITA ELECTRIC INDUSTRIAL CO.,LTD.	Agreement	Model	M9RZ90GR4GG1
1 : 1	3rd Angle System Unit:mm		Name	OUTLINE DRAWING
Designed	Drawn	Checked	Checked	Checked
KITAMURA	KITAMURA		WADA	
2007/02/09	2007/02/09		2007/02/09	
No.	SQ-MIM0169301			