

SQ-MIM0168901

Do NOT scale the drawings. Instead, rely on the dimensions and their definitions.

Panasonic

Compact AC geared motor

Type : Reversible motor (Single phase)

UL, c-UL, CE, CCC approved

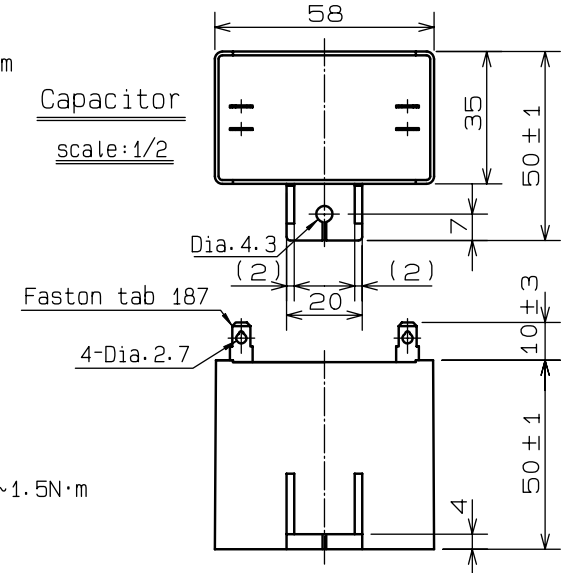
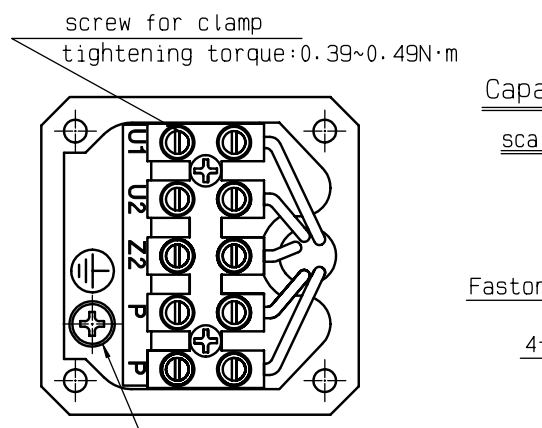
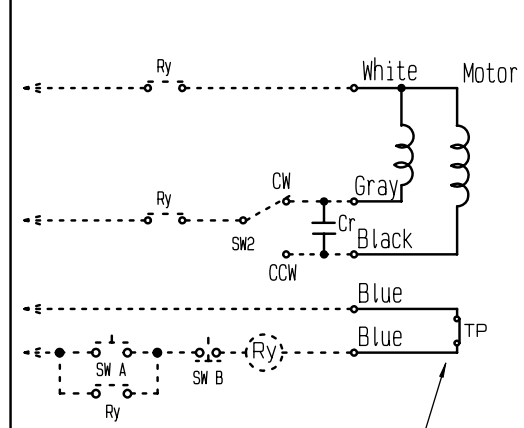
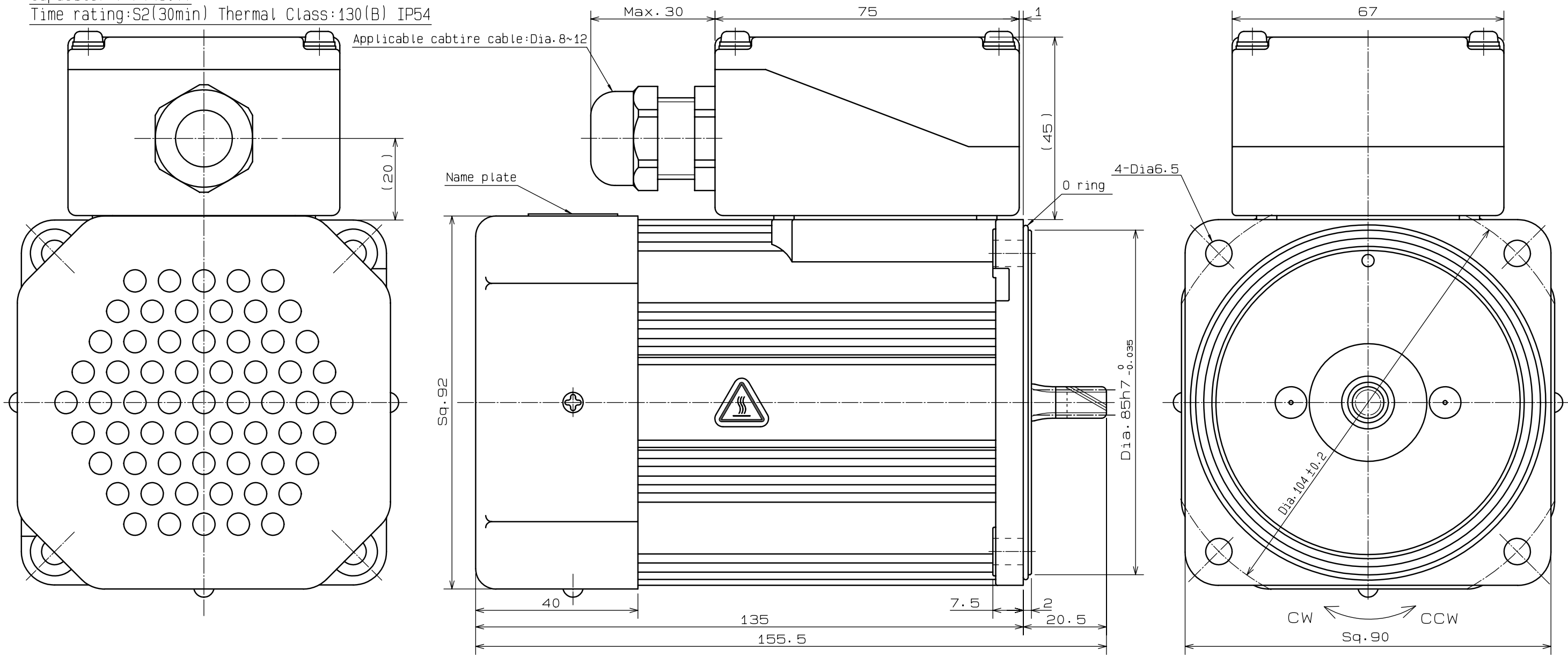
M9RZ90GK4GG1 4P 90W 220, 230V 50/60Hz

Capacitor: 7#F (450V)

Time rating: S2 (30min) Thermal Class: 130(B) IP54

Characteristics							
Voltage	Frequency	rated current	rated input	rated speed	rated torque	starting torque	starting current
220V	50Hz	0.89A	191W	1225min ⁻¹	0.70N·m	0.72N·m	1.5A
220V	60Hz	0.90A	197W	1550min ⁻¹	0.55N·m	0.72N·m	1.4A
230V	50Hz	0.92A	202W	1250min ⁻¹	0.69N·m	0.79N·m	1.6A
230V	60Hz	0.88A	204W	1575min ⁻¹	0.55N·m	0.79N·m	1.5A

General Dimension Tolerance (+)									
Assembly					Angle				
					Dimension of A				
					(Shorter Side)				
Up to 6	Over 6 to 30	Over 30 to 120	Over 120 to 300	Over 300	Up to 10	Over 10 to 50	Over 50 to 100	Over 100	
0.3	0.5	0.7	1.2	2.0	5°	3°	1.5°	45°	



General specification

- Operational condition: ambient temperature -10°C~+40°C, the humidity: less than 85%RH.
- Shaft end edges assumes it less than 5/100(TIR).
- Please do not disassemble the motor. (It causes abnormal noise.)
- This motor is provided with a thermal protector.
- Body color is dark brown.
- Applicable gear head: MZ9G0B (ball bearing, without hinge), MY9G0B (ball bearing, with hinge), MR9G0B (ball bearing, without hinge), MP9G0B (ball bearing, with hinge)
- Applicable decimal gear head: MZ9G10XB
- When put a gear head together, please confirm that an O ring attached to a motor. (If there is not an O ring it cause an oil blur.)
- Accessory: Capacitor
- Perform connection of terminals of a capacitor surely. Do the electric insulation so that electricity department of a capacitor does not crop out.

Scale	MATSUSHITA ELECTRIC INDUSTRIAL CO.,LTD.	Agreement	Model	M9RZ90GK4GG1
1 : 1	3rd Angle System	Unit:mm	Name	OUTLINE DRAWING
Designed	Drawn	Checked	Checked	Checked
KITAMURA	KITAMURA		WADA	
2007/02/09	2007/02/09		2007/02/09	
No.	SQ-MIM0168901			

MARCHAND CLASS IM1 E

Connection diagram

Terminal

Thermal protector (OPEN 130°C±5°C) AC100~250V 3A

screw for earth tightening torque: 1.2~1.5N·m

Capacitor scale: 1/2

screw for clamp tightening torque: 0.39~0.49N·m