

SQ-MIM0127401

Do NOT scale the drawings. Instead, rely on the dimensions and their definitions.

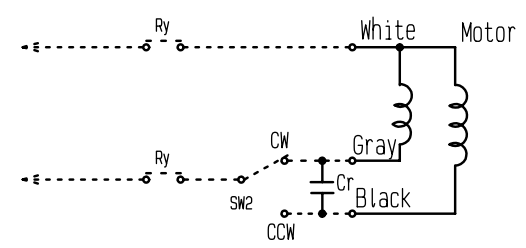
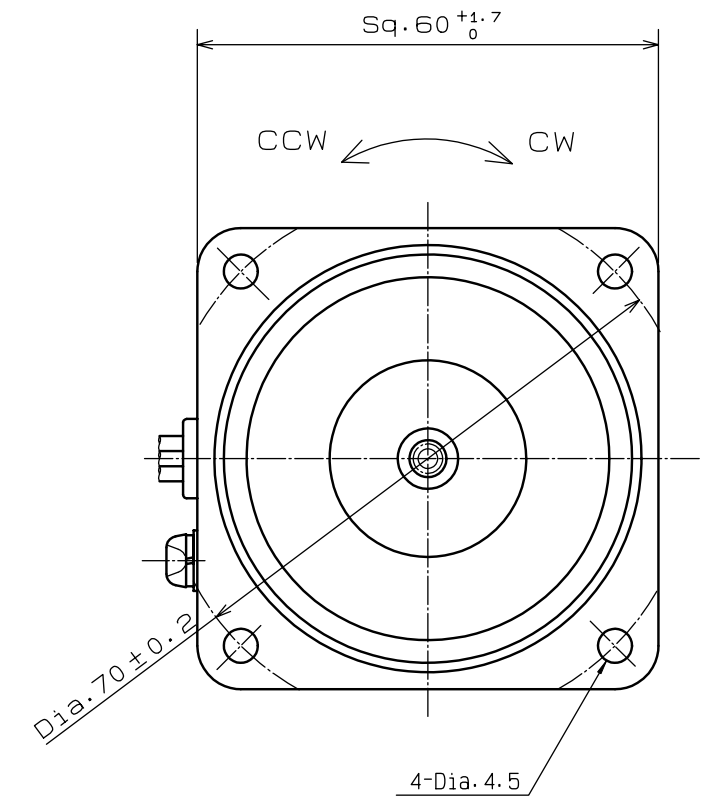
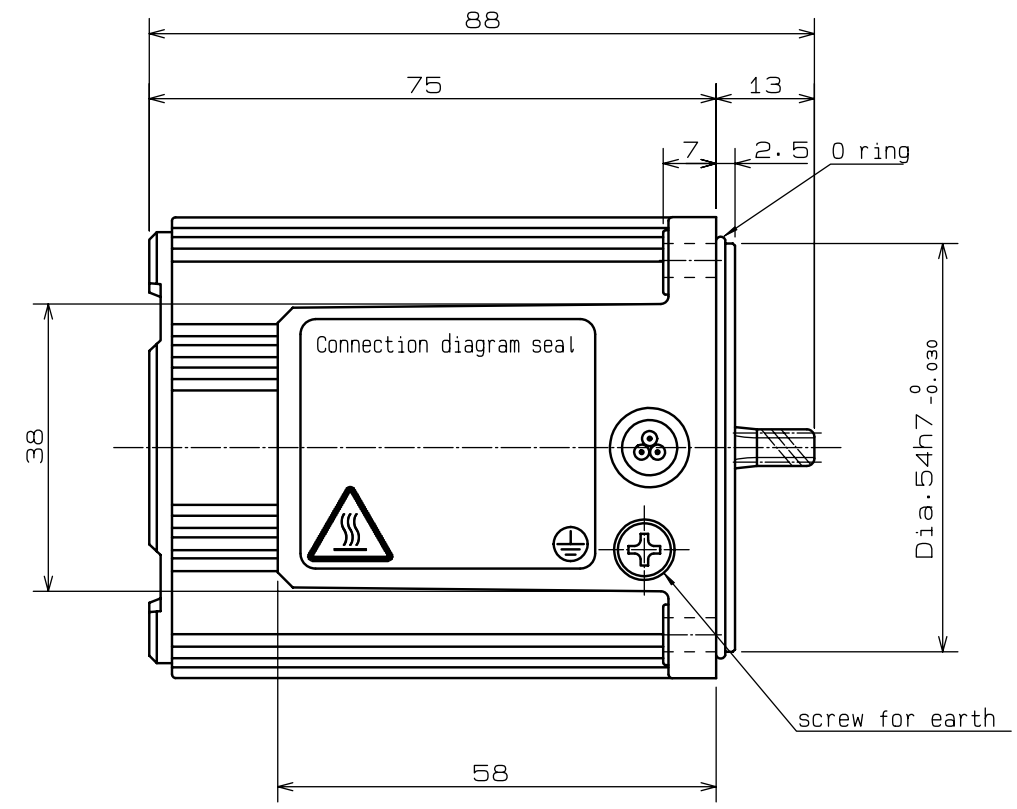
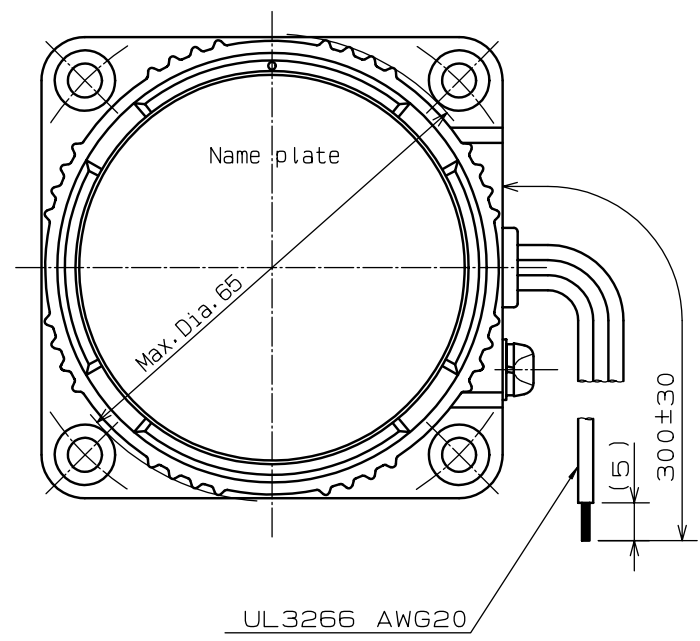
Panasonic

Compact AC geared motor

Type : Induction motor
 UL, c-UL, CE, CCC approved
 M6RX6G4GGA 4P 6W 220, 230V 50/60Hz
 Capacitor: 0.8μF(450V)
 Time rating: S2(30min) Thermal Class: 130(B) IP20

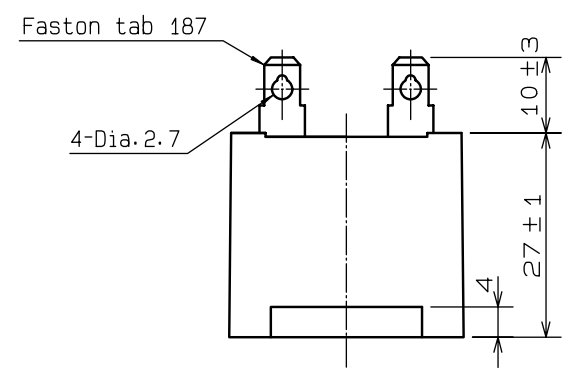
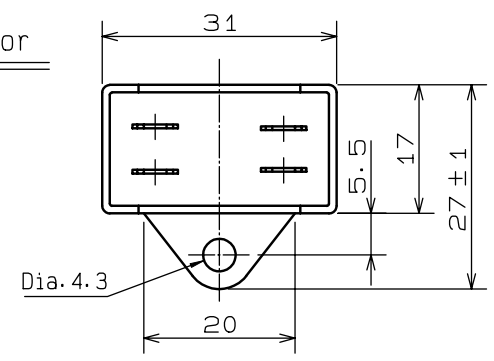
Characteristics							
Voltage	Frequency	rated current	rated input	rated speed	rated torque	starting torque	starting current
220V	50Hz	0.11A	24W	1275min ⁻¹	0.045N·m	0.056N·m	0.15A
220V	60Hz	0.12A	26W	1575min ⁻¹	0.036N·m	0.056N·m	0.15A
230V	50Hz	0.12A	26W	1300min ⁻¹	0.044N·m	0.060N·m	0.15A
230V	60Hz	0.12A	28W	1600min ⁻¹	0.036N·m	0.060N·m	0.16A

General Dimension Tolerance (+)									
Assembly					Angle		Dimension of A		
Up to 6	Over 6 to 30	Over 30 to 120	Over 120 to 300	Over 300	Up to 10	Over 10 to 50	(Shorter Side)		
0.3	0.5	0.7	1.2	2.0	5°	3°	Over 50 to 100	Over 100	
							1.5°	45°	



Connection diagram

Capacitor



General specification

1. Perform connection of terminals of a capacitor surely. Do the electric insulation so that electricity department of a capacitor does not crop out.
2. Operational condition: ambient temperature -10°C~+40°C, the humidity: less than 85%RH.
3. Shaft end edges assumes it less than 5/100(TIR).
4. Please do not disassemble the motor. (It causes a peculiar noise.)
5. This is impedance protected motor.
6. Body color is dark brown.
7. Application gear heads: MX6GM(A) (a metal bearing) MX6GB(A) (a ball bearing)
8. Application decimal gear heads: MX6G10XB.
9. When put a gear head together, please confirm that an O ring is attached to a motor. (If there is not an O ring, it cause an oil blur.)
10. Accessories: Capacitor

Scale	MATSUSHITA ELECTRIC INDUSTRIAL CO.,LTD.	Agreement	Model	M6RX6G4GGA
1 : 1	3rd Angle System	Unit:mm	Name	OUTLINE DRAWING
Designed	Drawn	Checked	Checked	Checked
ITO	ITO	SHIMIZU	KITAMURA	
2006/10/27	2006/10/27	2006/10/31	2006/10/31	No. SQ-MIM0127401

MARCHAND CLASS IM1