

SQ-MIM0126701

Do NOT scale the drawings. Instead, rely on the dimensions and their definitions.

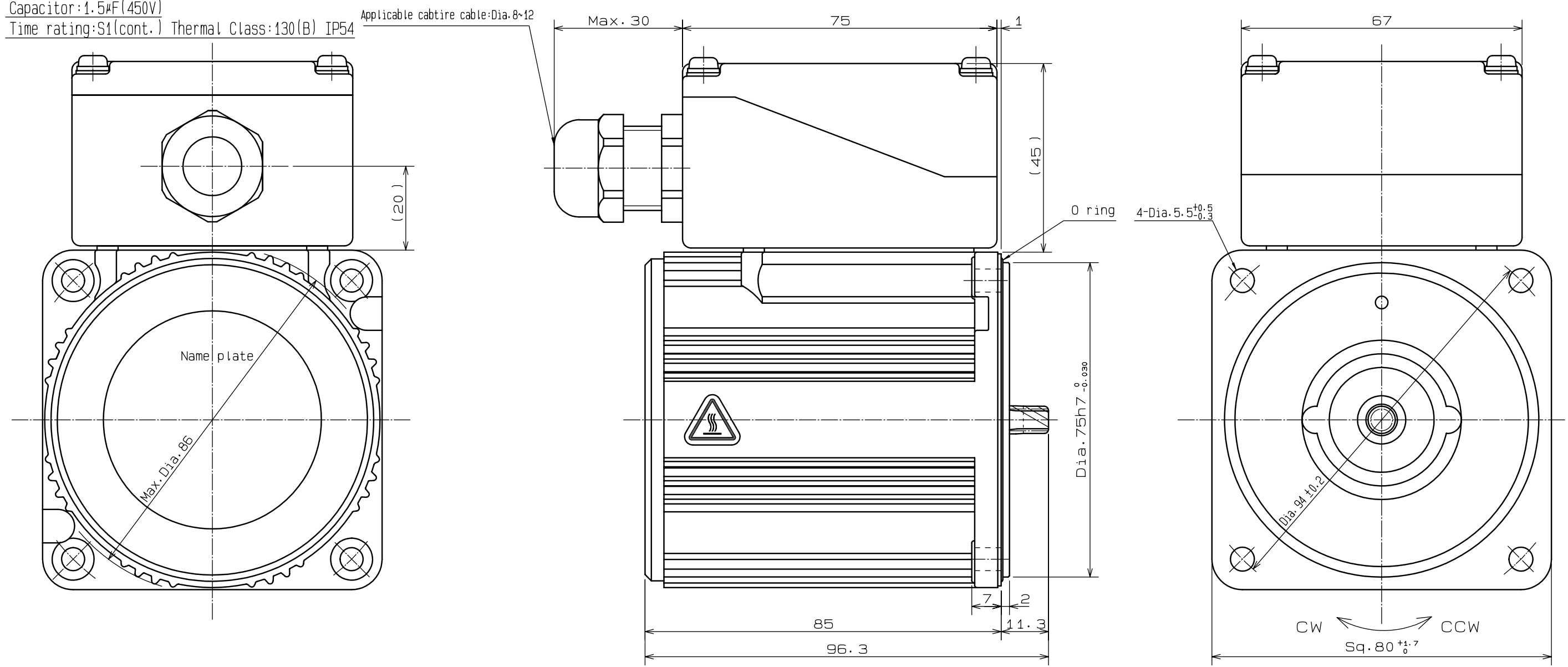
# Panasonic

Compact AC geared motor

Type : Induction motor  
 UL.c-UL.CE.CCC approved  
 M81X25GK4GGA 4P 25W 220,230V 50/60Hz  
 Capacitor: 1.5μF(450V)  
 Time rating: S1(cont.) Thermal Class: 130(B) IP54

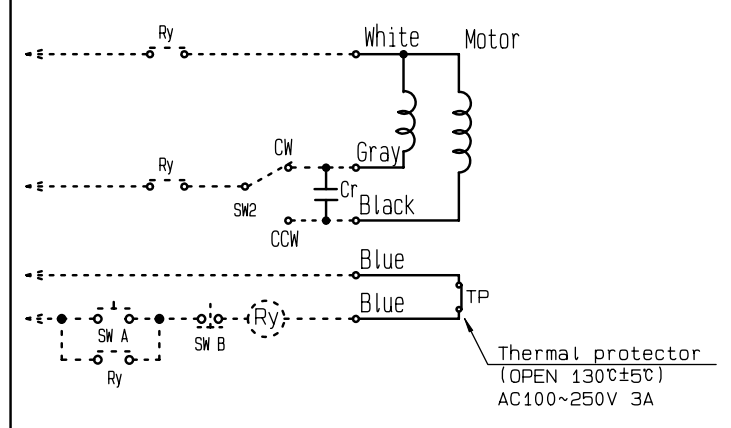
Characteristics							
Voltage	Frequency	rated current	rated input	rated speed	rated torque	starting torque	starting current
220V	50Hz	0.29A	59W	1200min <sup>-1</sup>	0.20N·m	0.15N·m	0.46A
220V	60Hz	0.23A	51W	1550min <sup>-1</sup>	0.15N·m	0.15N·m	0.44A
230V	50Hz	0.28A	59W	1250min <sup>-1</sup>	0.19N·m	0.16N·m	0.48A
230V	60Hz	0.23A	52W	1575min <sup>-1</sup>	0.15N·m	0.16N·m	0.45A

General Dimension Tolerance (+)									
Assembly					Angle				
					Dimension of A				
					(Shorter Side)				
Up to 6	Over 6 to 30	Over 30 to 120	Over 120 to 300	Over 300	Up to 10	Over 10 to 50	Over 50 to 100	Over 100	
0.3	0.5	0.7	1.2	2.0	5°	3°	1.5°	45°	



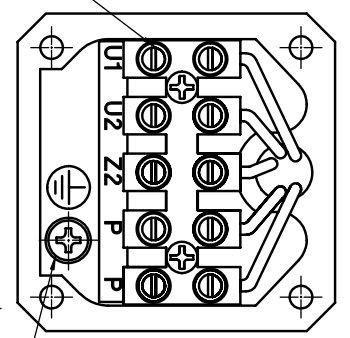
General specification

1. Perform connection of terminals of a capacitor surely. Do the electric insulation so that electricity department of a capacitor does not crop out.
2. Operational condition: ambient temperature -10°C~+40°C, the humidity: less than 85%RH.
3. Shaft end edges assumes it less than 5/100(TIR).
4. Please do not disassemble the motor. (It causes a peculiar noise.)
5. This motor has a thermal protector.
6. Body color is dark brown.
7. Application gear heads: MX8GDM(a metal bearing) MX8GDB(a ball bearing)
8. Application decimal gear heads: MX8G10XB.
9. When put a gear head together, please confirm that an O ring attached to a motor. (If there is not an O ring, it cause an oil blur.)
10. Accessories: Capacitor



Connection diagram

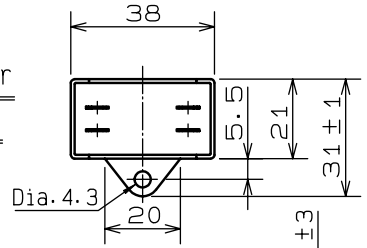
screw for clamp  
 clamping torque: 0.39~0.49N·m



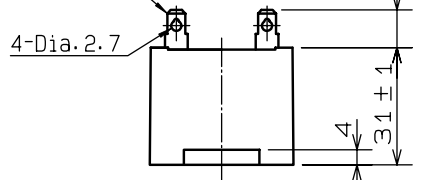
screw for earth  
 clamping torque: 1.2~1.5N·m

Terminal

Capacitor  
 scale: 1/2



Faston tab 187



Scale	MATSUSHITA ELECTRIC INDUSTRIAL CO.,LTD.	Agreement	
1 : 1	3rd Angle System	Unit: mm	
	Weight: 1.8kg		
Designed	Drawn	Checked	Checked
ITO	ITO	SHIMIZU	KITAMURA
2006/10/27	2006/10/27	2006/10/31	2006/10/31

Model	M81X25GK4GGA
Name	OUTLINE DRAWING
No.	SQ-MIM0126701

MARCHAND CLASS IM1 E