

SQ-MIM0126501

Panasonic

Compact AC geared motor

Type : Induction motor

UL, c-UL, CE, CCC approved

M71X15G4GGA 4P 15W 220, 230V 50/60Hz

Capacitor: 1.2μF(450V)

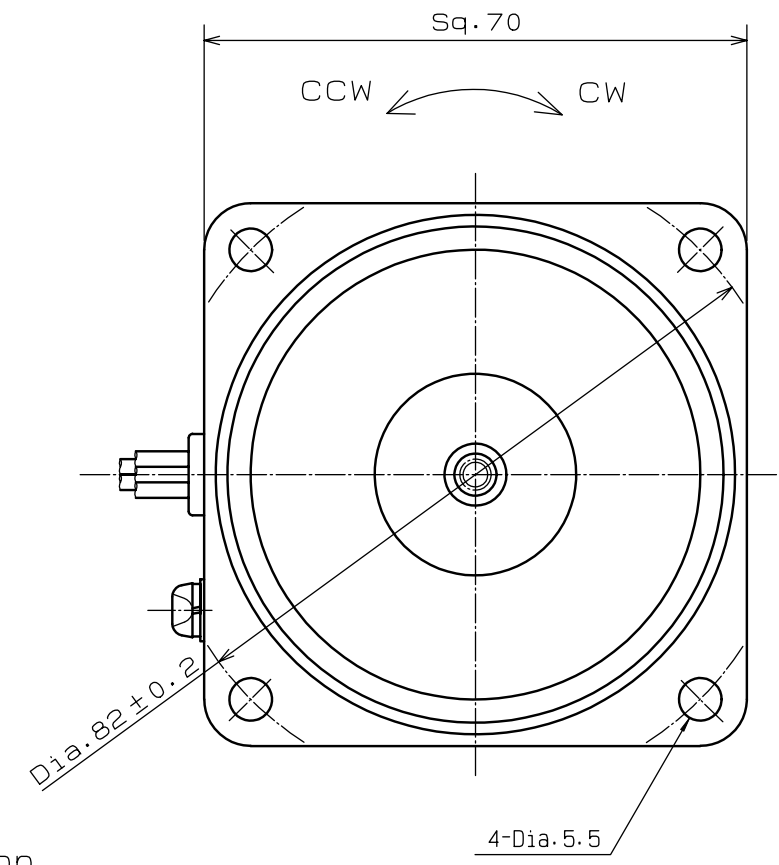
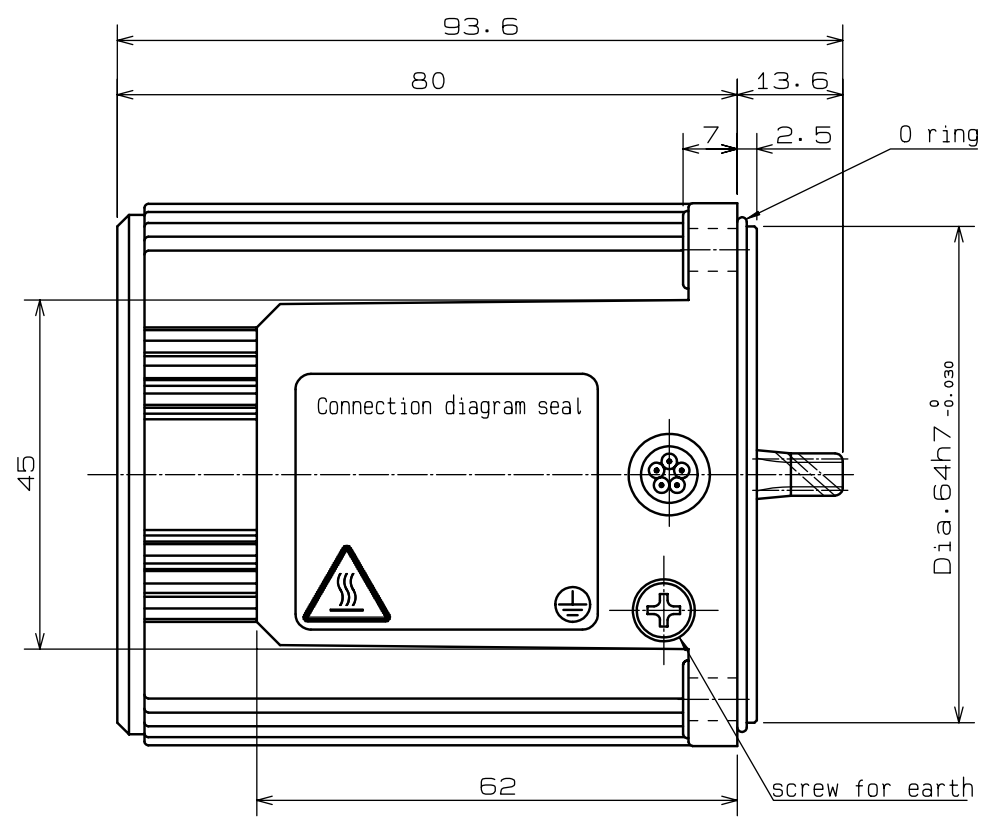
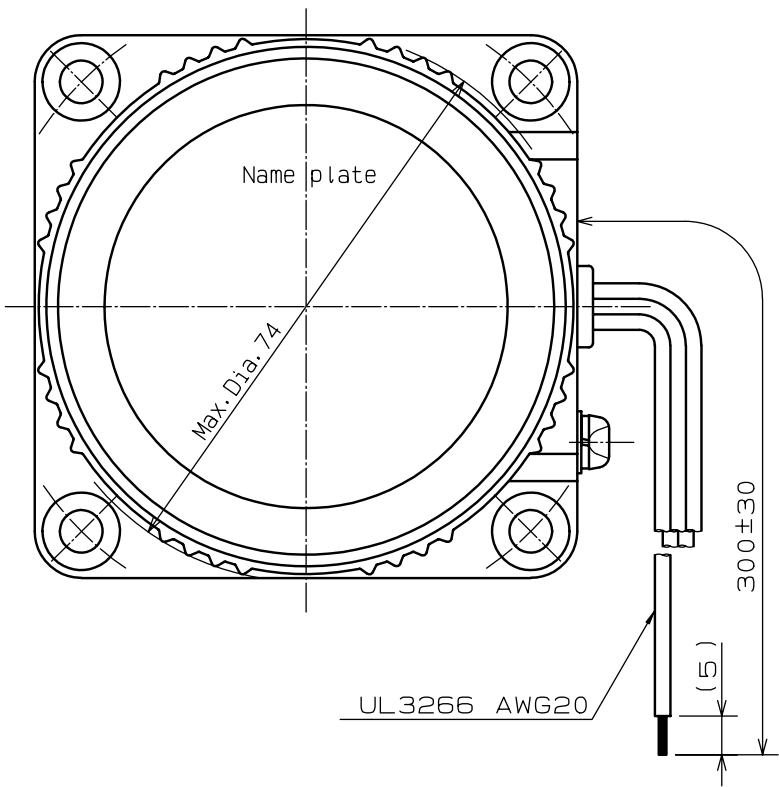
Time rating: S1(cont.) Thermal Class: 130(B) IP20

Characteristics

Voltage	Frequency	rated current	rated input	rated speed	rated torque	starting torque	starting current
220V	50Hz	0.16A	35W	1275min ⁻¹	0.11N·m	0.10N·m	0.27A
220V	60Hz	0.17A	37W	1600min ⁻¹	0.090N·m	0.10N·m	0.26A
230V	50Hz	0.16A	36W	1300min ⁻¹	0.11N·m	0.11N·m	0.28A
230V	60Hz	0.17A	38W	1625min ⁻¹	0.088N·m	0.11N·m	0.27A

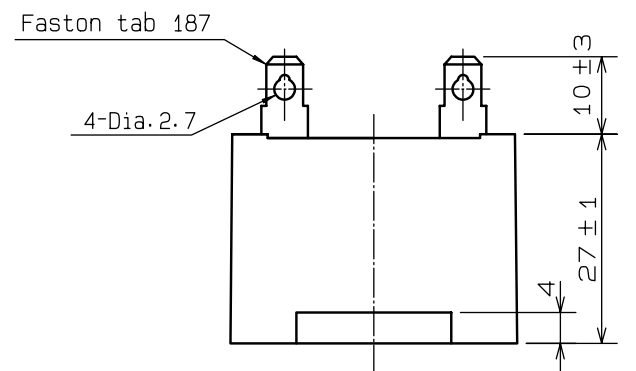
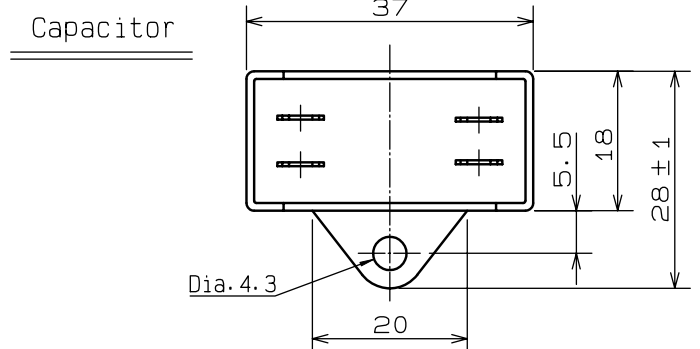
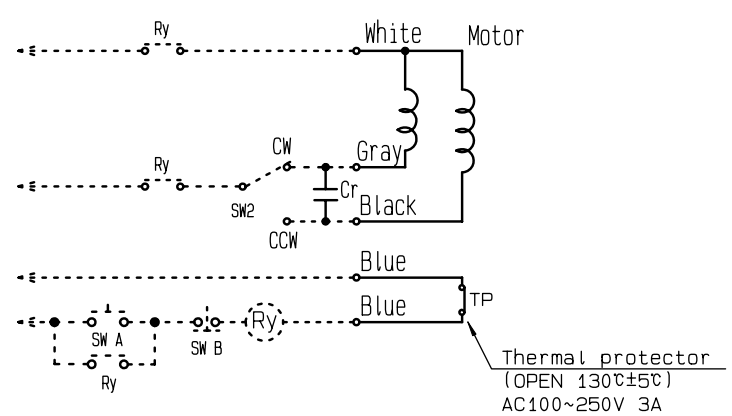
General Dimension Tolerance (+)					Angle			
Assembly					Angle		Dimension of A (Shorter Side)	
Up to 6	Over 6 to 30	Over 30 to 120	Over 120 to 300	Over 300	Up to 10	Over 10 to 50	Over 50 to 100	Over 100
0.3	0.5	0.7	1.2	2.0	5°	3°	1.5°	45°

Do NOT scale the drawings. Instead rely on the dimensions and their definitions



General specification

1. Perform connection of terminals of a capacitor surely. Do the electric insulation so that electricity department of a capacitor does not crop out.
2. Operational condition: ambient temperature -10°C~+40°C, the humidity: less than 85%RH.
3. Shaft end edges assumes it less than 5/100(TIR).
4. Please do not disassemble the motor. (It causes a peculiar noise.)
5. This motor has a thermal protector.
6. Body color is dark brown.
7. Application gear heads: MX7GDM(A) (a metal bearing) MX7GDB(A) (a ball bearing)
8. Application decimal gear heads: MX7G10XB.
9. When put a gear head together, please confirm that an O ring attached to a motor. (If there is not an O ring, it cause an oil blur.)
10. Accessories: Capacitor



Connection diagram

Scale	MATSUSHITA ELECTRIC INDUSTRIAL CO., LTD.	Agreement	Model	M71X15G4GGA
1 : 1	3rd Angle System	Unit:mm	Name	OUTLINE DRAWING
Designed	Drawn	Checked	Checked	Checked
ITO	ITO	SHIMIZU	KITAMURA	
2006/10/27	2006/10/27	2006/10/31	2006/10/31	No. SQ-MIM0126501

MARCHAND CLASS E IM1 TRACE