

SQ-MIM0129301

Do NOT scale the drawings. Instead, rely on the dimensions and their definitions.

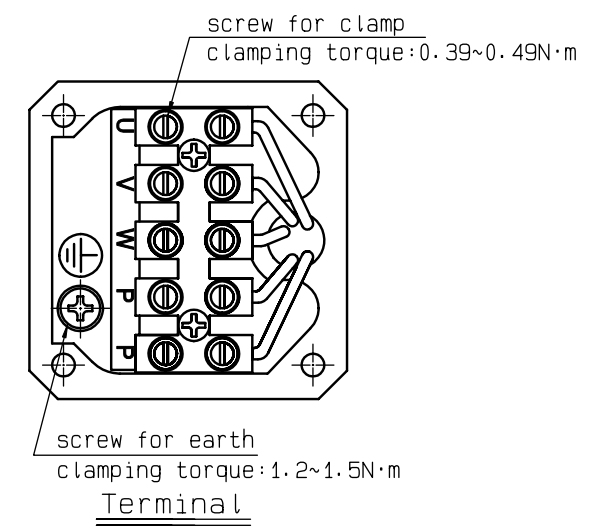
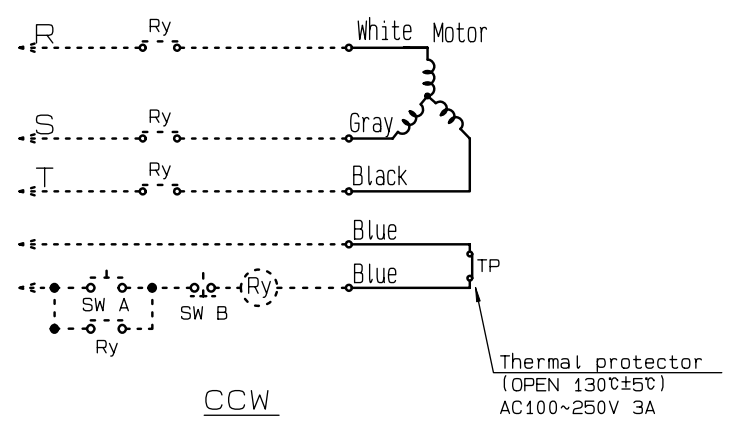
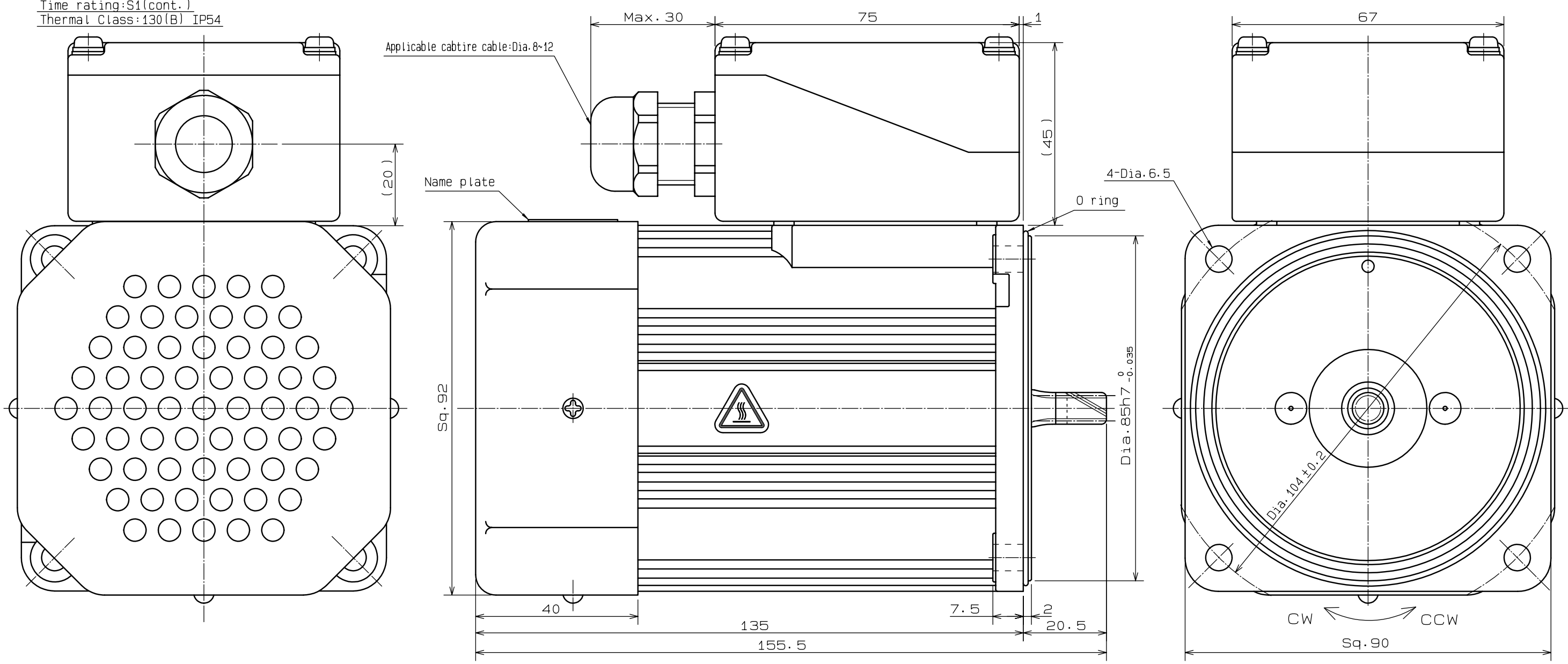
Panasonic

Compact AC geared motor

Type : Induction motor
 UL.c-UL.CE.CCC approved
 M9MZ90GK4YGA 4P 90W 200/200/220/230V 50/60/60/60Hz
 Time rating:S1(cont.)
 Thermal Class:130(B) IP54

Characteristics							
Voltage	Frequency	rated current	rated input	rated speed	rated torque	starting torque	starting current
200V	50Hz	0.62A	142W	1350min ⁻¹	0.63N·m	1.6N·m	2.0A
200V	60Hz	0.56A	138W	1625min ⁻¹	0.53N·m	1.1N·m	1.8A
220V	60Hz	0.56A	137W	1650min ⁻¹	0.52N·m	1.4N·m	2.0A
230V	60Hz	0.58A	137W	1675min ⁻¹	0.51N·m	1.6N·m	2.1A

General Dimension Tolerance (+)									
Assembly					Angle				
					Dimension of A				
					(Shorter Side)				
Up to 6	Over 6 to 30	Over 30 to 120	Over 120 to 300	Over 300	Up to 10	Over 10 to 50	Over 50 to 100	Over 100	Over 100
0.3	0.5	0.7	1.2	2.0	5°	3°	1.5°	45°	



- General specification**
- Operational condition: ambient temperature -10°C~+40°C, the humidity: less than 85%RH.
 - Shaft end edges assumes it less than 5/100(TIR).
 - Please do not disassemble the motor. (It causes a peculiar noise.)
 - This motor has a thermal protector.
 - Body color is dark brown.
 - Application gear heads: MZ9G0B (a ball bearing hinge nothing), MY9G0B (a ball bearing hinge existence), MR9G0B (a ball bearing hinge nothing), MP9G0B (a ball bearing hinge existence)
 - Application decimal gear heads: MZ9G10XB
 - When put a gear head together, please confirm that an O ring attached to a motor. (If there is not an O ring it cause an oil blur.)

MARCHAND CLASS IM1 E KINO 2006/10/05 TRACE

Scale	MATSUSHITA ELECTRIC INDUSTRIAL CO.,LTD.	Agreement	Model	M9MZ90GK4YGA
1 : 1	3rd Angle System	Unit:mm	Name	OUTLINE DRAWING
Designed	Drawn	Checked	Checked	Checked
ITO	ITO	SHIMIZU	KITAMURA	No.
2006/10/27	2006/10/27	2006/10/31	2006/10/31	SQ-MIM0129301